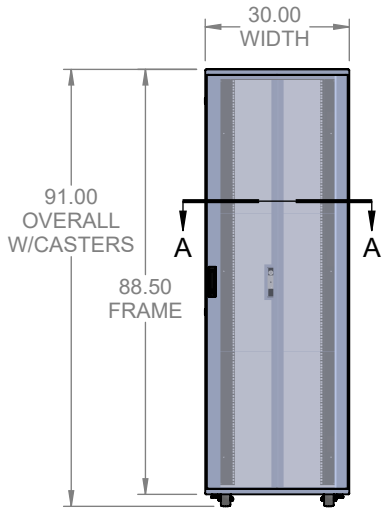
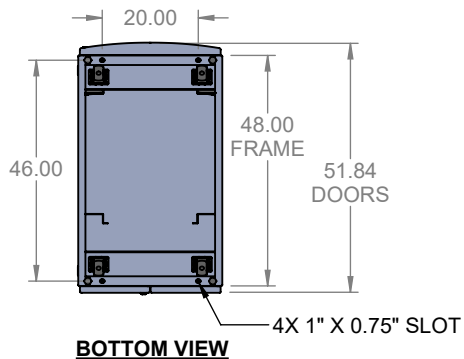


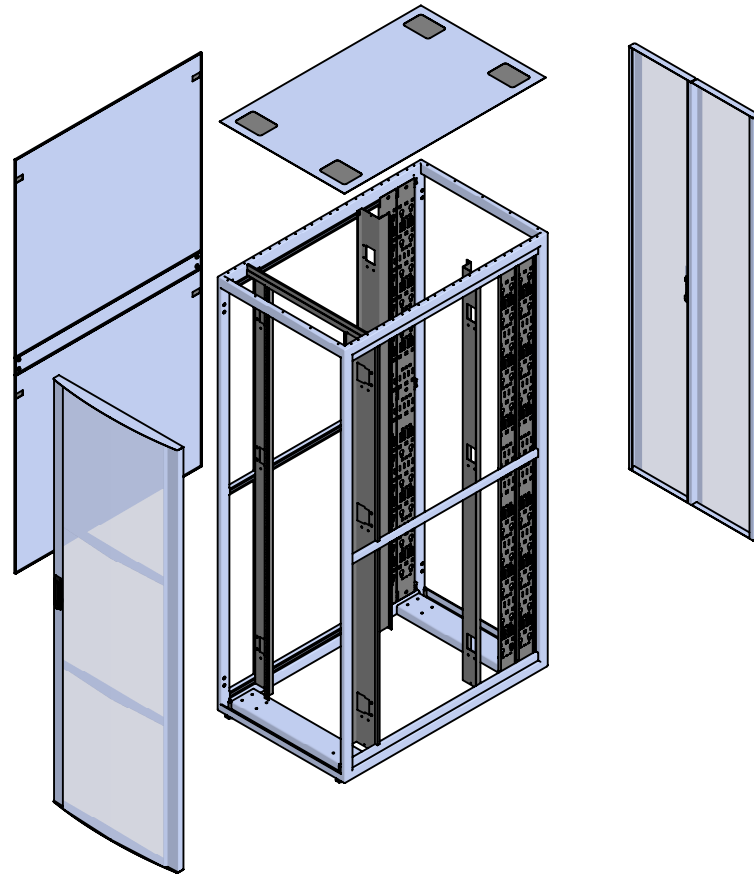
SECTION A-A



FRONT VIEW



BOTTOM VIEW



EXPLODED ISOMETRIC VIEW

FEATURES:

- CONFORMS TO EIA-310 19" STANDARDS.
- ALL COMPONENTS FULLY ADJUSTABLE FRONT TO BACK.
- FULLY WELDED CABINET FRAME CONSTRUCTION.
- FULLY ASSEMBLED.
- WHITE POWDER COAT FINISH W/ WHITE INTERNAL COMPONENTS.

NOTES:

1. OPTIONAL ACCESSORY NOT INCLUDED
2. **CUSTOMER SUPPLIED PDU's.** SEE POWER TABLE FOR INSTALLATION DETAIL.

CONFIGURATION ITEMS		
QTY.	Description	NOTE
1	Heavy Duty Tubular (T) Frame	
1	Levelers, Set of Four	
1	Casters, Set of Four	
2	Pair, Z Rails, All PASS THRU's	
6	Z Rail Cutout Brush	
1	Z Rail Air Curtain	
4	PCM, 4 Inch	
1	Top Panel, 4 Brush (F/R), 6" X 4.25"	
1	Standard Door, Hinged Right	
2	Door Handle, Keyed #333	
1	Split Rear Door	
1	Side Panel, Solid	1
1	Bag of 50 M6 Cage Nuts	
1	Bag of 50 M6 Screws	
1	Ganging Kit	
10	Velcro Saddle with 18" Tie Wrap	

POWER TABLE				
-P#	PDU PN	PDU LOC	ORIENT	CORD DIR
-P1	(1) C2S36TE-YCMFAM99/Cblue (1) C2L36TE-YCMFAM99/Cred	BACK LEFT BACK RIGHT	INWARD INWARD	TOP TOP

*** NOTICE ***
THIS DOCUMENT CONTAINS CONFIDENTIAL AND/OR PROPRIETARY INFORMATION INTENDED FOR USE ONLY BY THE INDIVIDUAL(S) PROVIDED. NEITHER THIS DOCUMENT, NOR ANY INFORMATION CONTAINED HEREIN, MAY BE COPIED, DISTRIBUTED, DISCLOSED TO ANY THIRD PARTY OR USED IN ANY MANNER OTHER THAN FOR WHICH IT HAS BEEN PROVIDED, WITHOUT THE PRIOR WRITTEN CONSENT OF LEGRAND, INC.

TITLE:

AMGENTF05(-P#)
T-Series Cabinet Configuration Sheet
48RU X 30.00"W X 48.00"D
(AMGEN)

